



Product Summary

$V_{(BR)DSS}$	$R_{DS(on)TYP}$	I_D
100V	2.9m Ω @10V	195A

Feature

- Trench Technology Power MOSFET
- LOW $R_{DS(ON)}$
- Low Gate Charge
- Low Gate Resistance
- 100% UIS Tested

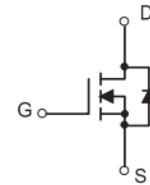
Application

- Power Switching Application
- DC/DC Converter

TO-263-2L



Schematic diagram



Package Marking and Ordering Information

Part Number	Package	Marking	Packing	Reel Size	Tape Width	Qty
GPT028N10NTH	TO-263-2L	T028N10N	Reel & Tape	330mm	24mm	800pcs

ABSOLUTE MAXIMUM RATINGS ($T_A = 25^\circ\text{C}$ unless otherwise noted)

Parameter	Symbol	Value	Unit	
Drain - Source Voltage	V_{DS}	100	V	
Gate - Source Voltage	V_{GS}	± 20	V	
Continuous Drain Current ¹	$T_C = 25^\circ\text{C}$	I_D	195	A
	$T_C = 100^\circ\text{C}$	I_D	125	A
Pulsed Drain Current ²	I_{DM}	780	A	
Single Pulsed Avalanche Current ³	I_{AS}	61	A	
Single Pulsed Avalanche Energy ³	E_{AS}	936	mJ	
Power Dissipation ⁵	$T_C = 25^\circ\text{C}$	P_D	277	W
Thermal Resistance from Junction to Ambient ⁶	$R_{\theta JA}$	49	$^\circ\text{C/W}$	
Thermal Resistance from Junction to Case	$R_{\theta JC}$	0.45	$^\circ\text{C/W}$	
Junction Temperature	T_J	150	$^\circ\text{C}$	
Storage Temperature	T_{STG}	-55~ +150	$^\circ\text{C}$	

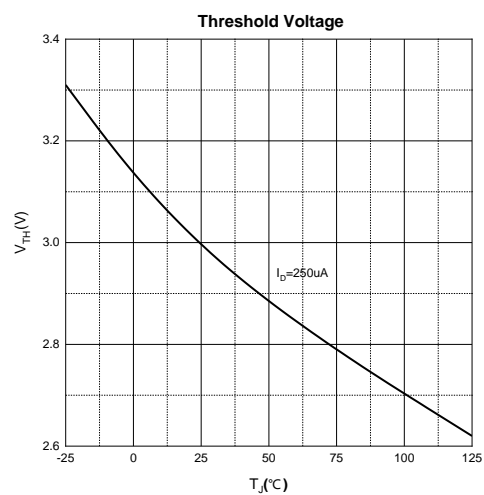
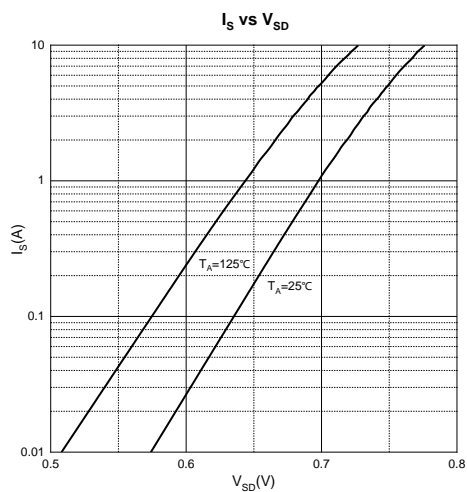
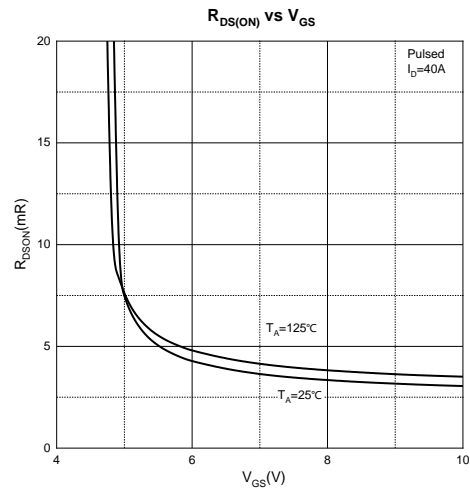
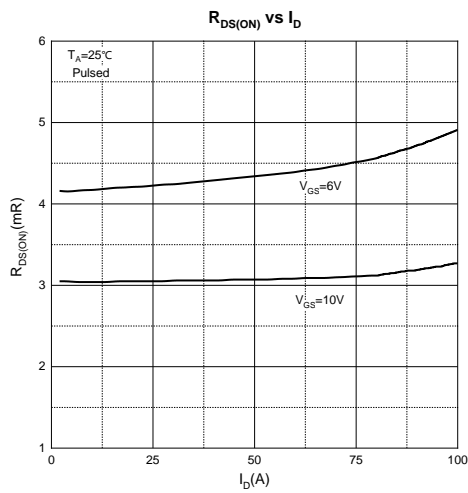
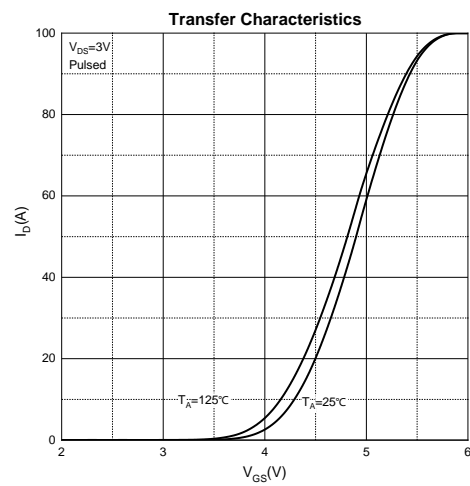
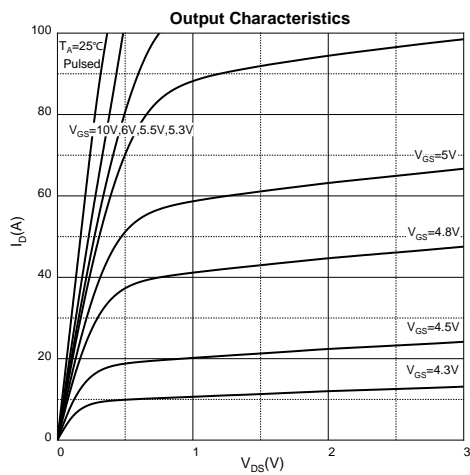
MOSFET ELECTRICAL CHARACTERISTICS ($T_A = 25^\circ\text{C}$ unless otherwise noted)

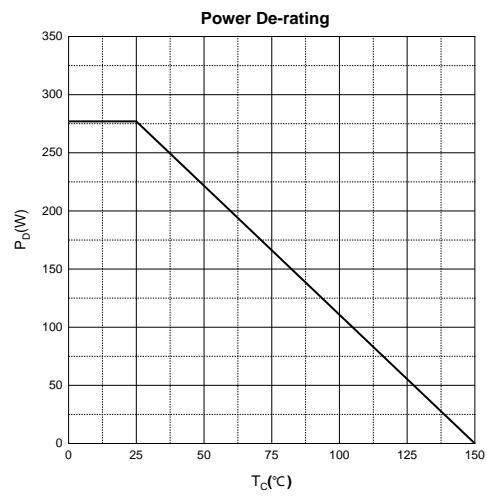
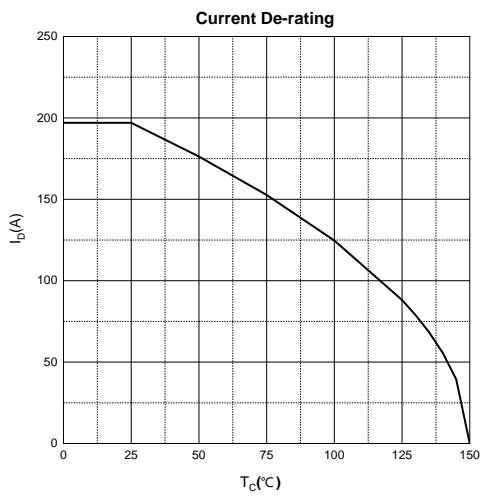
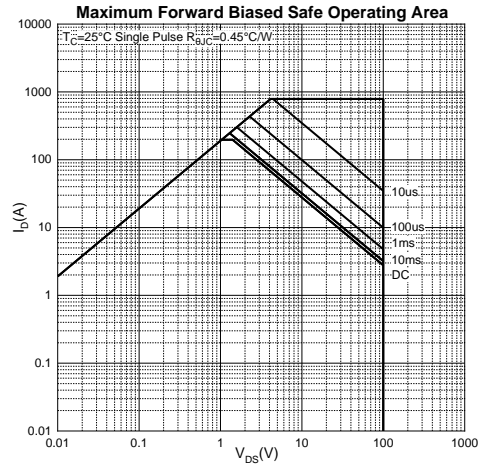
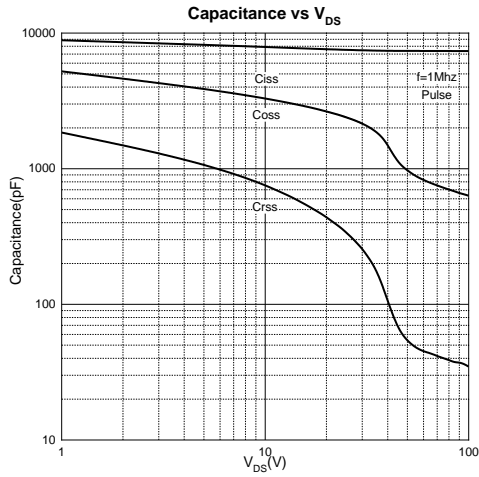
Parameter	Symbol	Test Condition	Min	Type	Max	Unit
Off Characteristics						
Drain - Source Breakdown Voltage	$V_{(BR)DSS}$	$V_{GS} = 0V, I_D = 250\mu A$	100			V
Zero Gate Voltage Drain Current	I_{DSS}	$V_{DS} = 100V, V_{GS} = 0V$			1	μA
Gate - Body Leakage Current	I_{GSS}	$V_{GS} = \pm 20V, V_{DS} = 0V$			± 100	nA
On Characteristics⁴						
Gate Threshold Voltage	$V_{GS(th)}$	$V_{DS} = V_{GS}, I_D = 250\mu A$	2	3	4	V
Drain-source On-resistance	$R_{DS(on)}$	$V_{GS} = 10V, I_D = 40A$		2.9	3.5	$m\Omega$
Dynamic Characteristics						
Input Capacitance	C_{iss}	$V_{DS} = 50V, V_{GS} = 0V, f = 0.1MHz$		7390		pF
Output Capacitance	C_{oss}			968		
Reverse Transfer Capacitance	C_{rss}			57		
Gate Resistance	R_g	$V_{DS} = 0V, V_{GS} = 0V, f = 1MHz$		0.6		Ω
Switching Characteristics						
Total Gate Charge	Q_g	$V_{DS} = 50V, V_{GS} = 10V, I_D = 40A$		130		nC
Gate-source Charge	Q_{gs}			33.3		
Gate-drain Charge	Q_{gd}			38.2		
Turn-on Delay Time	$t_{d(on)}$	$V_{DD} = 50V, V_{GS} = 10V, I_D = 50A,$ $R_G = 3\Omega$		50		ns
Turn-on Rise Time	t_r			55		
Turn-off Delay Time	$t_{d(off)}$			70		
Turn-off Fall Time	t_f			30		
Source - Drain Diode Characteristics						
Diode Forward Voltage ⁴	V_{SD}	$V_{GS} = 0V, I_S = 20A$			1.2	V

Notes :

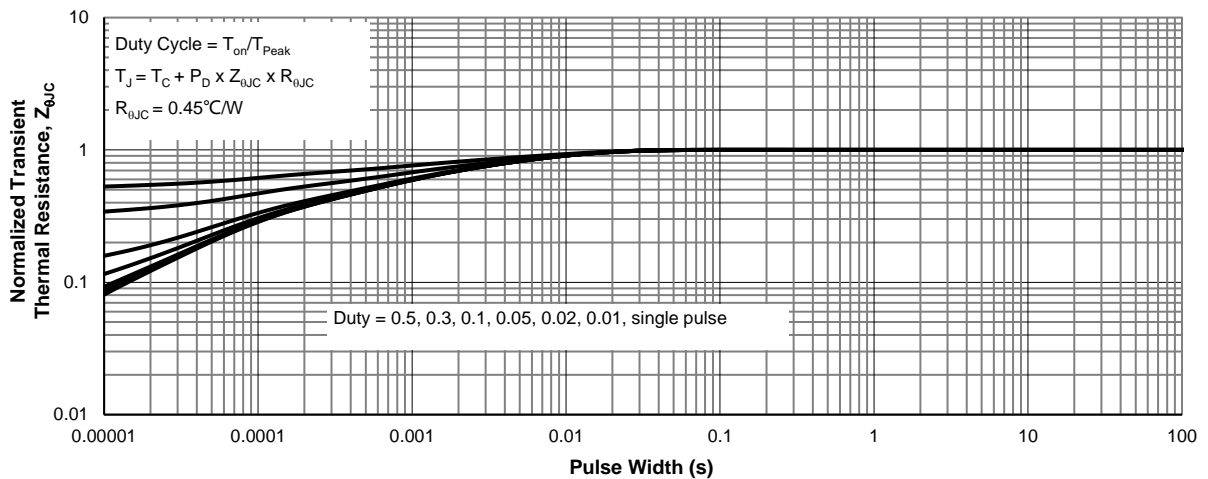
- 1.The maximum current rating is limited by package.And device mounted on a large heatsink
- 2.Pulse Test : Pulse Width $\leq 10\mu s$, duty cycle $\leq 1\%$.
- 3.EAS condition: $V_{DD} = 50V, V_{GS} = 10V, L = 0.5mH, R_G = 25\Omega$ Starting $T_J = 25^\circ\text{C}$.
- 4.Pulse Test : Pulse Width $\leq 300\mu s$, duty cycle $\leq 2\%$.
- 5.The power dissipation P_D is limited by $T_{J(MAX)} = 150^\circ\text{C}$.And device mounted on a large heatsink
- 6.Device mounted on $1in^2$ FR-4 board with 2oz. Copper, in a still air environment with $T_A = 25^\circ\text{C}$.

Typical Characteristics



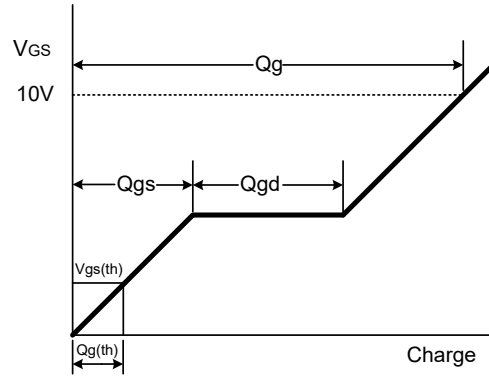
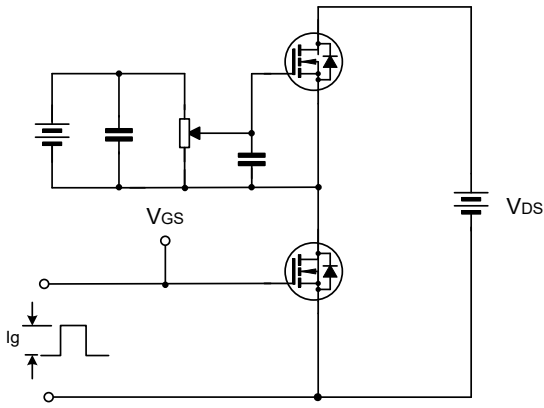


Normalized Maximum Transient Thermal Impedance

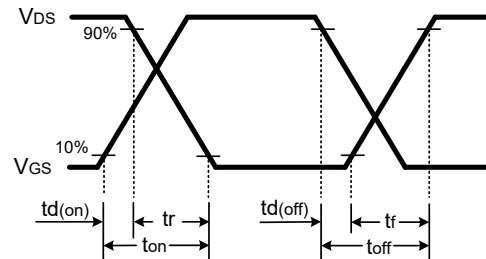
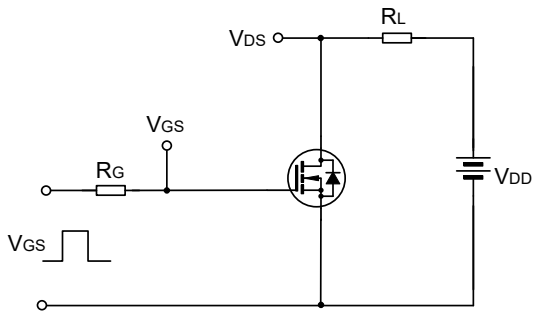


Test Circuit

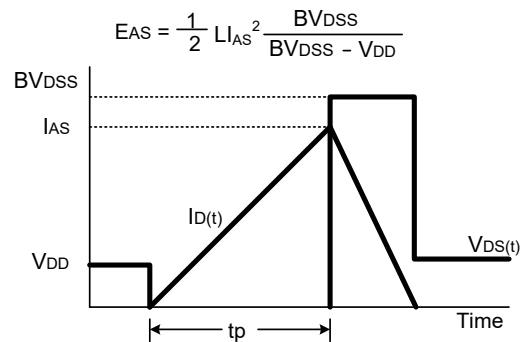
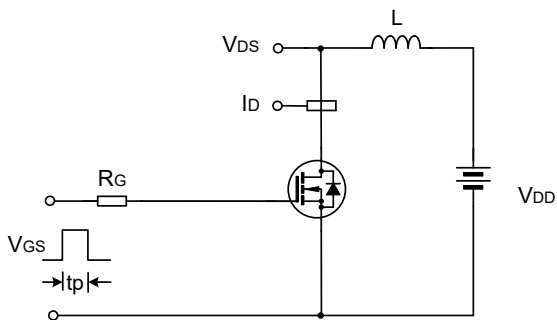
Gate Charge Test Circuit & Waveform



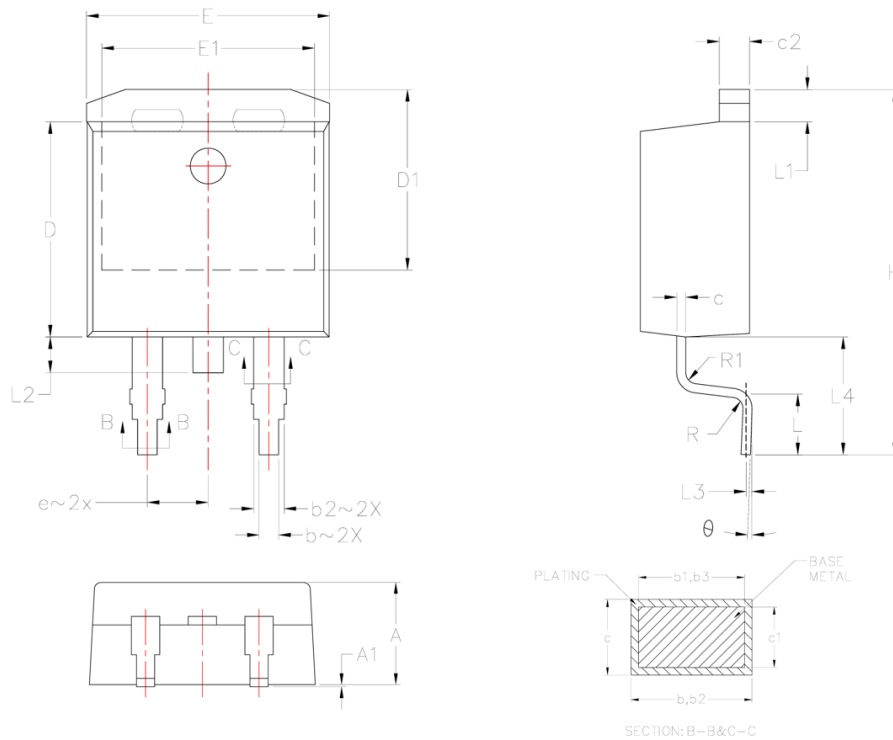
Resistive Switching Test Circuit & Waveform



E_{AS} Test Circuit & Waveform



TO-263-2L Package Information



Symbol	Dimensions In Millimeters		Dimensions In Inches	
	Min.	Max.	Min.	Max.
A	4.064	4.826	0.162	0.190
A1	0.000	0.254	0.000	0.010
b	0.508	0.991	0.020	0.039
b1	0.508	0.889	0.020	0.035
b2	1.143	1.778	0.045	0.070
b3	1.143	1.727	0.045	0.068
c	0.381	0.737	0.015	0.029
c1	0.381	0.584	0.015	0.023
c2	1.143	1.651	0.045	0.065
D	8.382	9.652	0.330	0.380
D1	6.858	-	0.270	-
E	9.652	10.668	0.380	0.420
E1	6.223	-	0.245	-
e	2.540TYP		0.100TYP	
H	14.605	15.875	0.575	0.625
L	1.778	2.794	0.070	0.110
L1	-	1.676	-	0.066
L2	-	1.778	-	0.070
L3	0.254TYP		0.010TYP	
L4	4.780	5.280	0.188	0.208
R	0.460TYP		0.018TYP	
R1	0.460TYP		0.018TYP	
Φ	0°	8°	0°	8°

Attention :

- GreenPower Electronics reserves the right to improve product design function and reliability without notice.
- Any and all semiconductor products have certain probability to fail or malfunction, which may result in personal injury, death or property damage. Customer are solely responsible for providing adequate safe measures when design their systems.
- GreenPower Electronics products belong to consumer electronics or other civilian electronic products.